

# TRJ

## MAIN FEATURES

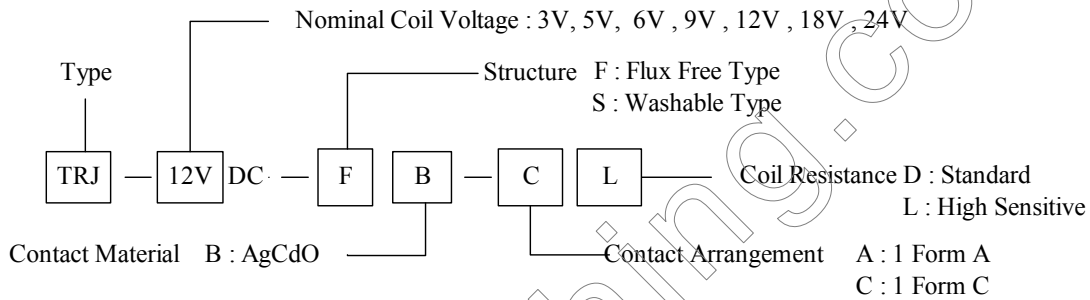
- 5A、10A switching capabilities
- SPST-NO and SPDT configuration
- Subminiature, standard PC layout
- Sealed & Unsealed types available



## APPLICATIONS

- House-hold appliance, office machine, etc.

## ORDERING INFORMATION

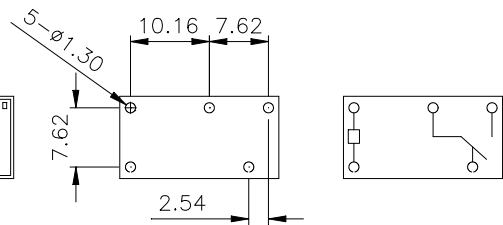
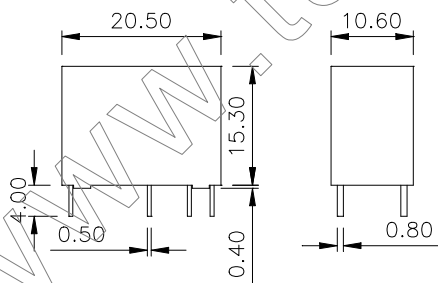


## DIMENSION (unit:mm)

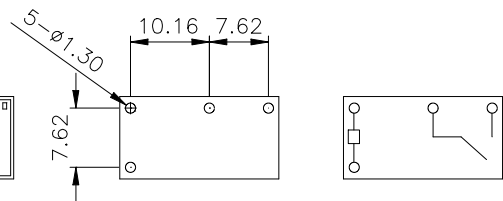
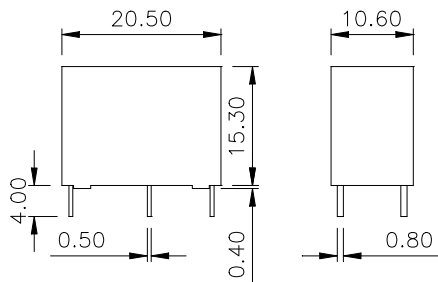
## DRILLING (unit:mm)

## WIRING DIAGRAM

### 1 Form C



### 1 Form A



## ■ COIL DATA CHART (AT20°C)

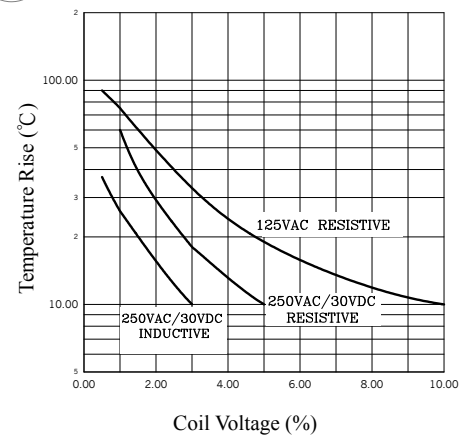
Coil Sensitivity	Coil Voltage Code	Nominal Voltage (VDC)	Nominal Current (mA)	Coil Resistance ( $\Omega$ ) $\pm 10\%$	Power Consumption (W)	Pull-In Voltage (VDC)	Drop-Out Voltage (VDC)	Max-Allowable Voltage (VDC)
TRJ-L (High Sensitivity)	03	3	67	45	abt. 0.2W	75% Max.	5% Min.	110% Max.
	05	5	40	125				
	06	6	33.3	180				
	09	9	22.5	400				
	12	12	16.7	720				
	18	18	11.25	1600				
TRJ-D (Standard)	03	3	150	20	abt. 0.45W	75% Max.	5% Min.	110% Max.
	05	5	91	55				
	06	6	75	80				
	09	9	50	180				
	12	12	37.5	320				
	18	18	25	720				
	24	24	18.75	1280				

## ■ CONTACT RATING

Item	Type	TRJ			
		1 Form A		1 Form C	
				N/O	N/C
Contact Capacity		5A 30VDC		5A 30VDC	3A 30VDC
Resistive Load ( $\cos\Phi=1$ )		5A 250VAC		5A 250VAC	3A 250VAC
		10A 125VAC		10A 125VAC	3A 250VAC
Inductive Load ( $\cos\Phi=0.4$ L/R=7msec)		4A 125VAC		4A 125VAC	3A 125VAC
		3A 30VDC		3A 30VDC	2A 30VDC
Rated Carrying Current		10A		10A	3A
Max. Allowable Voltage		110VDC, 250VAC			
Max. Allowable Current		10A		10A	3A
Max. Allowable Power Force		1250VA, 150W			
Contact Material		Ag Alloy			

## ■ REFERENCE DATA

### Coil Temperature Rise



## ■ PERFORMANCE (at initial value)

Item	Type	TRJ
Contact Resistance		100m $\Omega$ Max(measured at 1A 24VDC).
Operation Time		8msec Max.
Release Time		5msec Max.
Dielectric Strength	Between coil & contact	4000VAC, 1min
	Between contacts	1000VAC, 1min
Insulation Resistance		1000 M $\Omega$ Min. (500VDC)
Operating Ambient Temperature		-40° C to +70° C
Operating Humidity		35% ~ 95%
Vibration Resistance		10 to 55HZ Double Amplitude 1.6mm
Shock Resistance		100 m/s <sup>2</sup> Malfunction
		1000 m/s <sup>2</sup> Malfunction
Life Expectancy	Mechanically	1 $\times$ 10 <sup>7</sup> ops. Min. (no load)
	Electrically	1 $\times$ 10 <sup>5</sup> ops. Min. (at rated coil voltage)
Weight		Abt. 7grs.

### Life Expectancy

